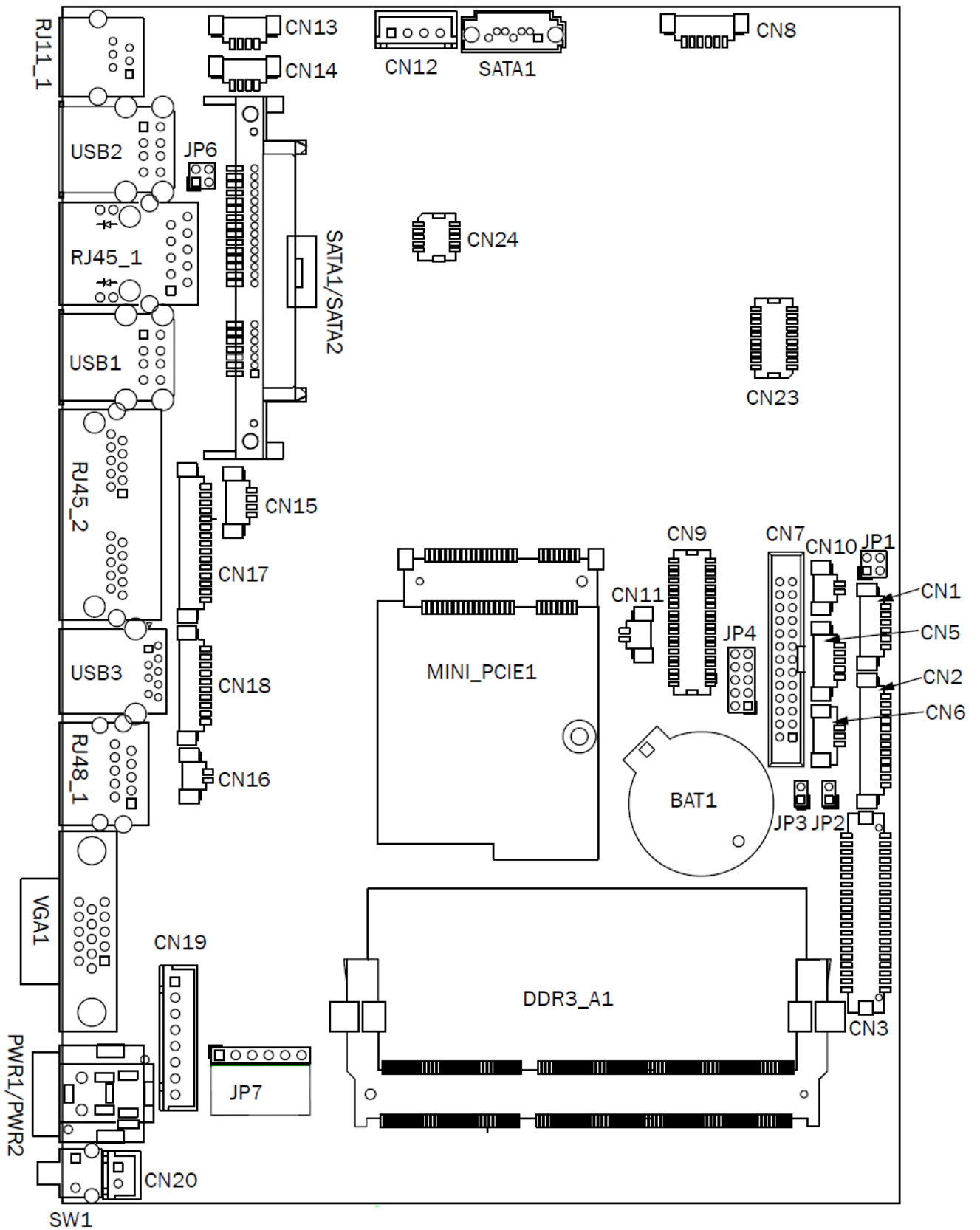


6-4 D36 Motherboard

6-4-1 Motherboard Layout

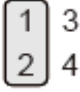



6-4-2 Connectors & Functions



Connector	Function
CN1	Front I/O board
CN2	Inverter connector
CN3	LVDS connector
CN6	System FAN connector
CN7	LPT port connector
CN8	Speaker & MIC connector
CN9	40pin external connector
CN10	HDD LED connector
CN11	Power LED connector
CN12	SATA power connector
CN13/14	USB port (internal)
CN15	PS2 keyboard connector
CN16	LPT touch
CN17	MSR connector
CN18	COM5 (touch) connector
CN19	Wide Range
CN20	Power button (internal)
CN21	LCM connector
CN22	POS325 51pin connector
PWR1/PWR2	DC Jack
RJ11_1	Cash drawer connector
RJ45_1	LAN connector
RJ45_2	COM1/ COM2
RJ48_1	COM3
DDR3_A1	DDR3 SO-DIMM
SATA0/SATA2	SATA
USB1/USB2	USB2.0
USB3	USB3.0
VGA1	CRT connector
SW1	Power button
MINI_PCIE1	MINI PCIE
JP1	Inverter select
JP4	LCD ID setting
JP6	Cash drawer power setting
JP7	Touch connector

6-4-3 Jumper Setting


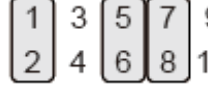




Inverter Selection

Function	JP1 (1-2) (3-4)
▲ LED	
CCFL	

Cash Drawer Power Setting

Function	JP6 (1-2) (3-4)
▲ +19V	
+12V	

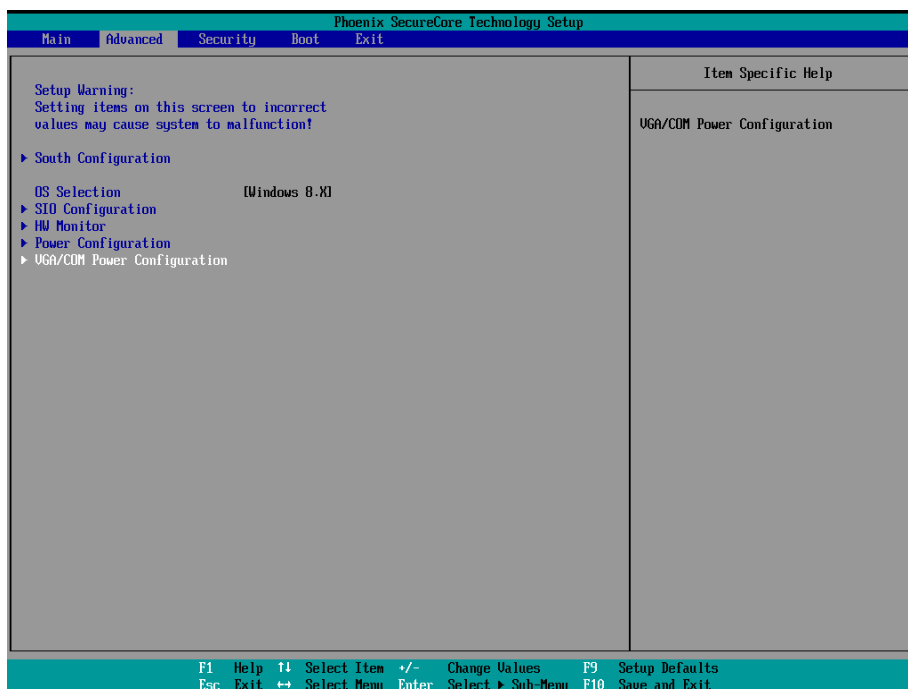
LCD ID Setting

Panel Number	Resolution	LVDS		Output Interface	JP4
		Bits	Channel		(1-2) (3-4) (5-6) (7-8) (9-10)
1	800 x 600	18	Single	LVDS Panel	
2	800 x 600	24	Single	LVDS Panel	
3	1024 x 768	18	Single	LVDS Panel	
4	1024 x 768	24	Single	LVDS Panel	
5	1366 x 768	18	Single	LVDS Panel	
6	1366 x 768	24	Single	LVDS Panel	

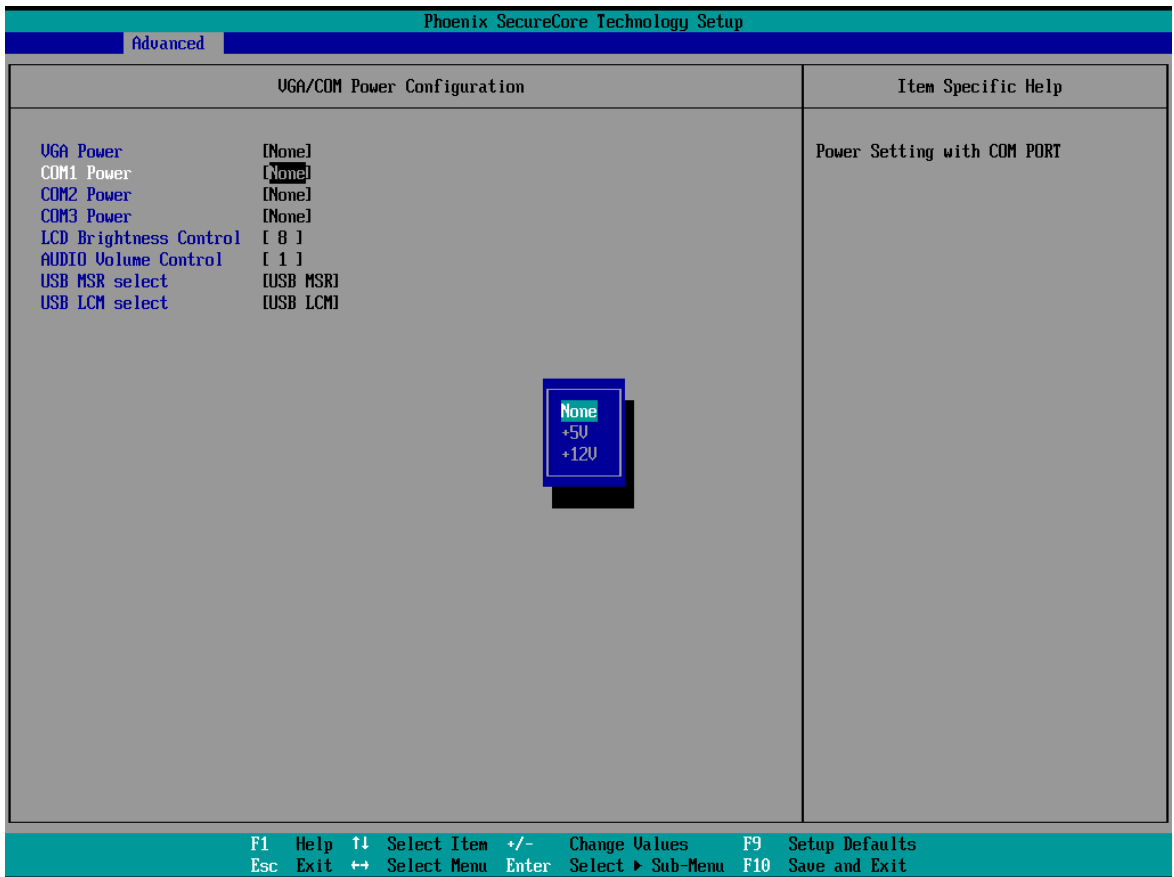
7	1024 x 600	18	Single	LVDS Panel	<table border="1"> <tr><td>1</td><td>3</td><td>5</td><td>7</td><td>9</td></tr> <tr><td>2</td><td>4</td><td>6</td><td>8</td><td>10</td></tr> </table>	1	3	5	7	9	2	4	6	8	10
1	3	5	7	9											
2	4	6	8	10											
8	1280 x 1024	24	Dual	LVDS Panel	<table border="1"> <tr><td>1</td><td>3</td><td>5</td><td>7</td><td>9</td></tr> <tr><td>2</td><td>4</td><td>6</td><td>8</td><td>10</td></tr> </table>	1	3	5	7	9	2	4	6	8	10
1	3	5	7	9											
2	4	6	8	10											
9	1440 x 900	24	Dual	LVDS Panel	<table border="1"> <tr><td>1</td><td>3</td><td>5</td><td>7</td><td>9</td></tr> <tr><td>2</td><td>4</td><td>6</td><td>8</td><td>10</td></tr> </table>	1	3	5	7	9	2	4	6	8	10
1	3	5	7	9											
2	4	6	8	10											
15	1920 x 1080	24	Dual	LVDS Panel	<table border="1"> <tr><td>1</td><td>3</td><td>5</td><td>7</td><td>9</td></tr> <tr><td>2</td><td>4</td><td>6</td><td>8</td><td>10</td></tr> </table>	1	3	5	7	9	2	4	6	8	10
1	3	5	7	9											
2	4	6	8	10											
				CRT	<table border="1"> <tr><td>1</td><td>3</td><td>5</td><td>7</td><td>9</td></tr> <tr><td>2</td><td>4</td><td>6</td><td>8</td><td>10</td></tr> </table>	1	3	5	7	9	2	4	6	8	10
1	3	5	7	9											
2	4	6	8	10											

COM1/COM2/COM3 Power Setting

COM1, COM2 and COM3 can be set to provide power to your serial device. The voltage can be set to +5V or +12V in the BIOS.



5. Power on the system, and press the key when the system is booting up to enter the BIOS Setup utility.
6. Select the Advanced tab.
7. Select **VGA/COM Power Configuration** Ports and press <Enter> to go to display the available options.



- To enable the power, select COM1 , COM2 or COM3 Power setting and press <Enter>. Select Power and press <Enter>. Save the change by pressing F10.